



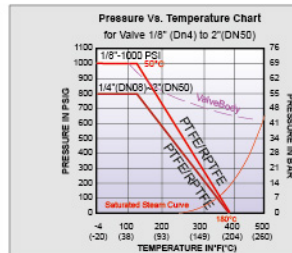
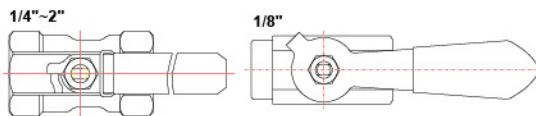
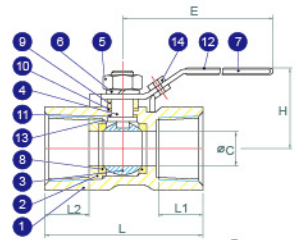
SERIES 10 & 20

MADE IN MARS

**Economical
One-Piece / Two-Piece Ball Valves
Stainless Steel And Carbon Steel
Threaded Ends
1000 / 1500 / 2000 PSI**

SERIES 10-10

Reduced Port



DIMENSIONS (mm)

SIZE	øC	E	H	L	L1	L2	WT.(Kg)
1/8"	5.0	60	30.5	39.5	10.0	9.0	0.01
1/4"	5.0	64	35	39	11.0	7.0	0.07
3/8"	7.0	70	37	44	11.0	8.0	0.11
1/2"	9.2	90	43.5	56.5	16.0	14.0	0.19
3/4"	12.5	90	47	58	15.0	10.7	0.26
1"	16.0	103	50	71	17.4	17.0	0.43
1 1/4"	20.0	103	57	78	19.0	16.7	0.66
1 1/2"	25.0	127	69	83	19.1	16.8	0.88
2"	32.0	127	74.5	100	22.5	19.7	1.42

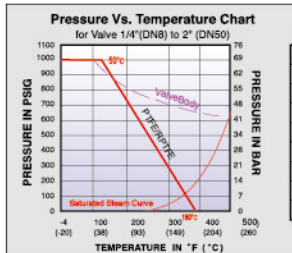
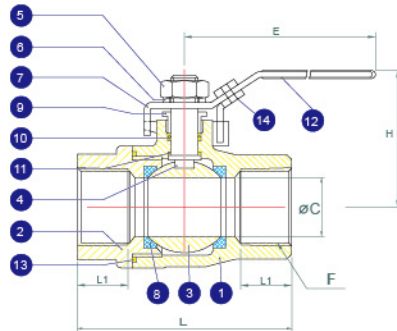
MATERIALS LIST

NO.	PART NAME	MATERIAL	Q'TY
1	Body	CF8M / WCB	1
2	Cap	CF8M / WCB	1
3	Ball	SUS316/CF8M	1
4	Stem	SUS316	1
5	Stem Nut	SUS 304	1
6	Stem Washer	SUS 304	1
7	Handle	SUS 304	1
8	Seat	PTFE	2
9	Gland	SUS 304	1
10	Stem Packing	PTFE	1
11	Stem seal	PTFE	1
12	Handle Sleeve	VINYL	1
13	Joint Gasket	PTFE	1
14	Locking Device	SUS 304	1

‡ Available as an option

SERIES 20-10

Full Port



DIMENSIONS (mm)

SIZE	øC	E	H	L1	L	F	WT.(Kg)
1/4"	11.5	100	50	13	55	1/4" NPT or BSP	0.23
3/8"	12.5	100	50	13	55	3/8" NPT or BSP	0.23
1/2"	15.0	130	60	15	65	1/2" NPT or BSP	0.36
3/4"	20.0	130	64	17	72	3/4" NPT or BSP	0.47
1"	25.0	165	71	19	84	1" NPT or BSP	0.82
1 1/4"	32.0	165	78	22	94	1 1/4" NPT or BSP	1.17
1 1/2"	38.0	190	86	22	110	1 1/2" NPT or BSP	1.82
2"	50.0	190	95	26	126	2" NPT or BSP	2.83

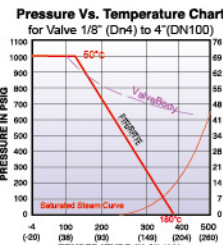
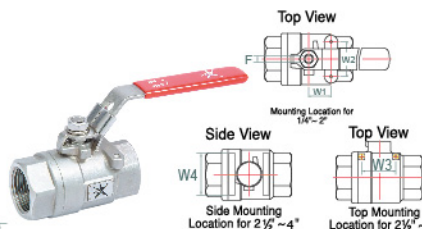
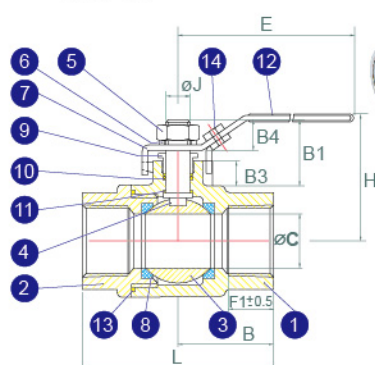
MATERIALS LIST

NO.	PART NAME	MATERIAL	Q'TY
1	Body	CF8M / WCB	1
2	End Cap	CF8M / WCB	1
3	Ball	SUS316/CF8M	1
4	Stem	SUS316	1
5	Stem Nut	SUS 304	1
6	Stem Washer	SUS 304	1
7	Handle	SUS 304	1
8	Seat	PTFE	2
9	Gland Nut	SUS 304	1
10	Stem Packing	PTFE	§
11	Stem seal	PTFE	1
12	Handle Sleeve	VINYL	1
13	Joint Gasket	PTFE	1
14	Locking Device	SUS 304	1

§ 1/4" - 1/2" regular 1pc stem packing is used instead
 ¶ 1/2" - 2" set of v-ring packing consists of 2pcs of v-ring
 ‡ Available as an option
 Note: For carbon steel version replace item No. 1 & No. 2 with

SERIES 20-20

Full Port



SIZE	B	B1	B3	B4	øC	øJ	E	F	F1	H	L	W1	W2	W3	W4	WT.(Kg)
1/8"	27.5	22.3	8	9.8	8	8	100	5.0	10	50	55	12.7	28.5			0.27
1/4"	27.5	22.3	8	9.8	11.6	8	100	5.0	15	50	55	12.7	28.5			0.27
3/8"	27.5	22.3	8	9.8	12.5	8	100	5.0	15	50	55	12.7	28.5			0.27
1/2"	32.5	25.8	10.5	11	15.0	9.5	130	6.5	16	60	65	12.7	28.5			0.40
3/4"	37.3	25.8	10.5	11	20.0	9.5	130	6.5	17	64	74.8	22.4	35.0			0.54
1"	44.0	31.5	11.5	13.5	25.0	11	165	8.0	20.4	71	88	23.4	35.0			1.34
1 1/4"	51.0	31.5	11.5	13.5	32.0	11	165	8.0	22	78	102	25.4	38.1			1.94
1 1/2"	55.0	35.1	12	15.8	38.0	14	190	9.7	22.5	86	110	25.4	38.1			3.03
2"	62.5	30.8	9.5	15.8	50.0	14	190	9.7	26	95	125	25.4	38.1	59	61	3.96
2 1/2"	80.3	54.2	17	24.5	65.0	19	250	12.0	31	130	160.8			70	71	6.59
3"	89.0	55.2	18	24.5	80.0	19	250	12.0	34	148	178			100	78.5	9.28
4"	120.0	57.4	20.8	24.5	100.0	19	280	15.0	43	176	240					20.58

MATERIALS LIST

NO.	PART NAME	MATERIAL	Q'TY
1	Body	CF8M / WCB	1
2	End Cap	CF8M / WCB	1
3	Ball	SUS316/CF8M	1
4	Stem	SUS316	1
5	Stem Nut	SUS 304	1
6	Stem Washer	SUS 304	1
7	Handle	SUS 304	1
8	Seat	PTFE	2
9	Gland Nut	SUS 304	1
10	Stem Packing	PTFE	§
11	Stem seal	PTFE	1
12	Handle Sleeve	VINYL	1
13	Joint Gasket	PTFE	1
14	Locking Device	SUS 304	1

§ 1/4" - 3/8" regular 1pc stem packing is used instead
 ¶ 1/2" - 3" 1 set of v-ring packing consists of 2pcs of v-ring
 ‡ Available as an option