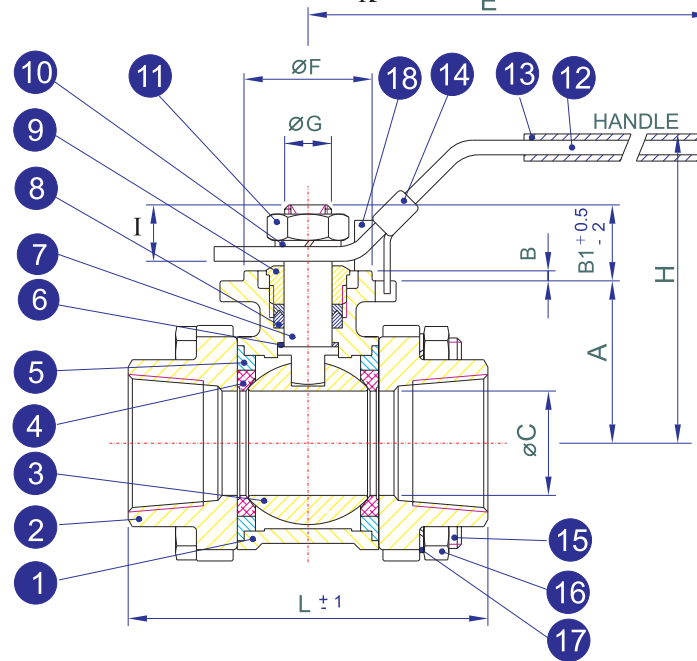
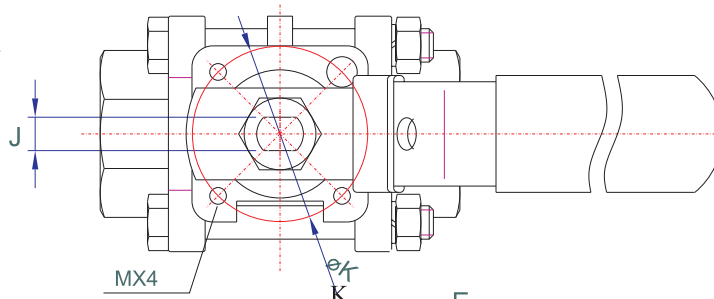
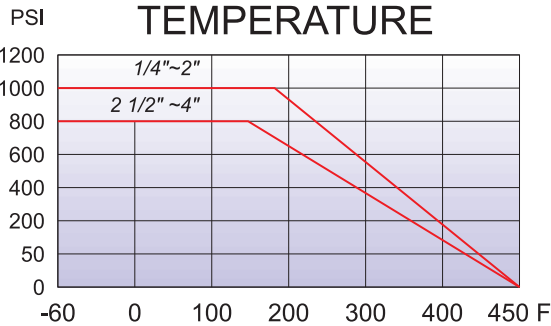
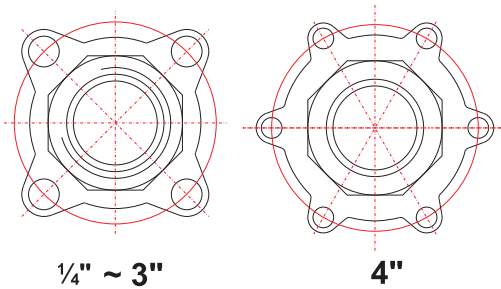




# SERIES 55A

*Economical  
3-Piece Ball Valve  
Full Port  
1000 & 800 PSI WOG  
1/4" (DN8) to 4" (DN100)*



## MATERIALS LIST

NO.	PART NAME	MATERIAL	Q'TY
1	Body	CF8M	1
2	End Cap	CF8M	2
3	Ball	SUS 316	1
4	Seat	PTFE	2
5	Joint Gasket	PTFE	2
6	Stem Seal	PTFE	1
7	Stem	SUS 316	1
8	Gland Packing	PTFE	@
9	Gland Bush	SUS 304	1
10	Stem Washer	SUS 304	1
11	Stem Nut	SUS 304	1
12	Handle	SUS 304	1
13	Handle Sleeve	VINYL	1
14	Locking device	SS304	1
15	Bolt	SS304	*
16	Bolt nut	SS304	&
17	Blot washer	SS304	&
18	Stop pin	SS304	1

\* 1/4" ~ 2" -4pcs of studs.  
2 1/2" ~ 3" -4pcs of studs . 4" -6pcs of studs .  
& 1/4" ~ 2" -4pcs; 2 1/2" ~ 3" -8pcs; 4" -12pcs  
@ 1/4" ~ 3/8" -1pcs, 1/2" ~ 3" -2pcs, 4" -3pcs.

SIZE	∅C	B	B1	A	E	∅F	∅G	H	I	J	∅K	L	M	Nm	W(kg)	ISO5211
1/4"	11.6	2	17.3	29.5	130	25	9.5	65	11	6.5	36	63.7	M5	4	0.59	F03
3/8"	12.7	2	17.3	29.5	130	25	9.5	65	11	6.5	36	63.7	M5	4	0.56	F03
1/2"	15.0	2	17.3	29.5	130	25	9.5	65	11	6.5	36	65.7	M5	4	0.58	F03
3/4"	20.0	2	17.3	33.0	130	25	9.5	68	11	6.5	36	76.2	M5	5	0.75	F03
1"	25.0	2	18.7	39.0	160	30	11.0	80	13.5	8	42	86.2	M5	9	1.08	F04
1 1/4"	32.0	2	22.5	41.0	160	30	11.0	85	13.5	8	42	102.8	M5	9	1.76	F04
1 1/2"	38.0	2	25.1	47.0	185	35	14.0	94	15.6	9.7	50	119.4	M6	17	2.72	F05
2"	50.0	2	25.1	55.5	185	35	14.0	103	15.6	9.7	50	131.4	M6	25	3.73	F05
2 1/2"	65.0	2	40.2	72.5	260	55	19.0	143	24.5	12	70	164.0	M8	25	7.41	F07
3"	80.0	2	36.9	85.0	260	70	19.0	153	24.5	12	102	182.7	M10	29	10.74	F10
4"	100	2	40.7	107.0	290	70	19.0	180	27.5	15	102	235.6	M10	50	20.08	F10

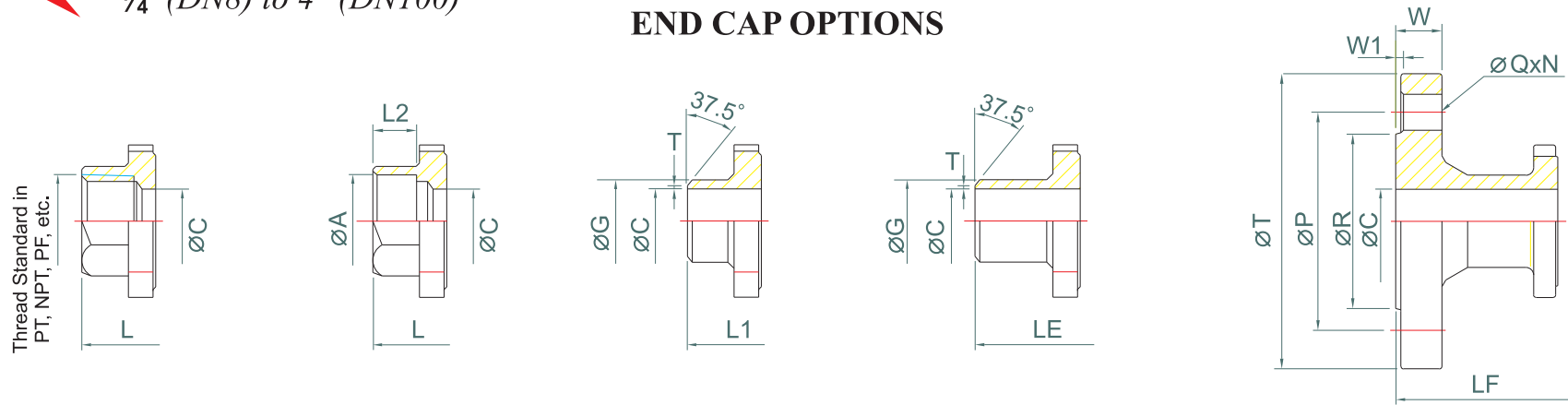
PS: 1/4" ~ 2" 1000 WOG  
2 1/2" ~ 4" 800 WOG



# SERIES 55A

*Economical  
3-Piece Ball Valve  
Full Port  
1000 & 800 PSI WOG  
1/4" (DN8) to 4" (DN100)*

## END CAP OPTIONS



**55A-10**  
Threaded  
End

**55A-20**  
Socket Weld  
End

**55A-30**  
Butt Weld  
End

**55A-40**  
Extended Butt  
Weld End

**55A-50**  
Flange End  
(PN25/40 F1)

### DIMENSIONS (mm)

SIZE	ØA	ØC	ØG	T	L	L1	*L	*L1	L2	LE	LF	ØP	ØQ	ØR	ØT	N	W	W1	ISO5211
1/4"	14.3	11.6	16.2	1.6	63.7	62.7	60	70	10	225	N/A	N/A	N/A	N/A	N/A	N/A	N/A	N/A	F03
3/8"	17.6	12.7	17.5	1.6	63.7	62.7	60	70	10	225	N/A	N/A	N/A	N/A	N/A	N/A	N/A	N/A	F03
1/2"	21.9	15.0	22.7	1.6	65.7	65.7	75	75	10	225	130	65	14	45	95	4	16	2	F03
3/4"	27.3	20.0	27.5	1.6	76.2	76.2	80	90	13	225	150	75	14	58	105	4	18	2	F03
1"	33.9	25.0	34	1.6	86.2	86.2	90	100	13	245	160	85	14	68	115	4	18	2	F04
1 1/4"	42.8	32.0	42.7	1.6	102.8	102.8	110	110	13	255	180	100	18	78	140	4	18	2	F04
1 1/2"	48.9	38.0	48.6	1.6	119.4	119.4	120	125	13	260	200	110	18	88	150	4	18	3	F05
2"	61.3	50.0	60.5	1.6	131.4	131.4	140	150	16	275	230	125	18	102	165	4	20	3	F05
2 1/2"	ANSI 74 PN 76.9	65.0	76.3	2.0	164	164	185	190	16	334	290	145	18	122	185	8	22	3	F07
3"	90.0	80.0	90.0	2.0	182.7	182.7	205	220	16	354	310	160	18	138	200	8	24	3	F10
4"	115.5	100	116.0	3.5	235.6	236.2	240	270	20	365	350	190	22	162	235	8	24	3	F10

\* L - Dimension for DIN 3202-M3 Length

\* L1 - Dimension for S13 Length